

TwistPort Adaptor for ePMP 1000 AP and CSM RF ELEMENTS



Kode : TPA-ePMP

Brand : RF elements

Jenis : Wireless Antenna

Harga : Rp 270.000,00

Rp 455.000,00

TwistPort™ Adaptor for ePMP™ is compatible with Cambium Networks™ ePMP™ 1000 AP / CSM, ePMP™ Force 300 CSM and ePMP™ 3000L AP. TwistPort™ Adaptors cover an ultra-wideband spectrum of 5180-6400 MHz and perform with superb efficiency and great VSWR.

Penawaran Harga Spesial

08112039555

What is TwistPort™ Adaptor

TwistPort Adaptor converts 3rd party radio coaxial interface into RF elements® proprietary TwistPort™ waveguide connector. Integration of the radio is smooth and requires no tools. Making 3rd party radios compatible with TwistPort™ enables using the radio with any TwistPort™ antenna ever made with superior performance, noise immunity and network scalability.

Designed For ePMPTM

TwistPort™ Adaptor for ePMPTM is compatible with Cambium Networks™ ePMPTM 1000 AP / CSM, ePMPTM Force 300 CSM and ePMPTM 3000L AP.



Cambium Networks™
ePMP™ 1000AP and CSM



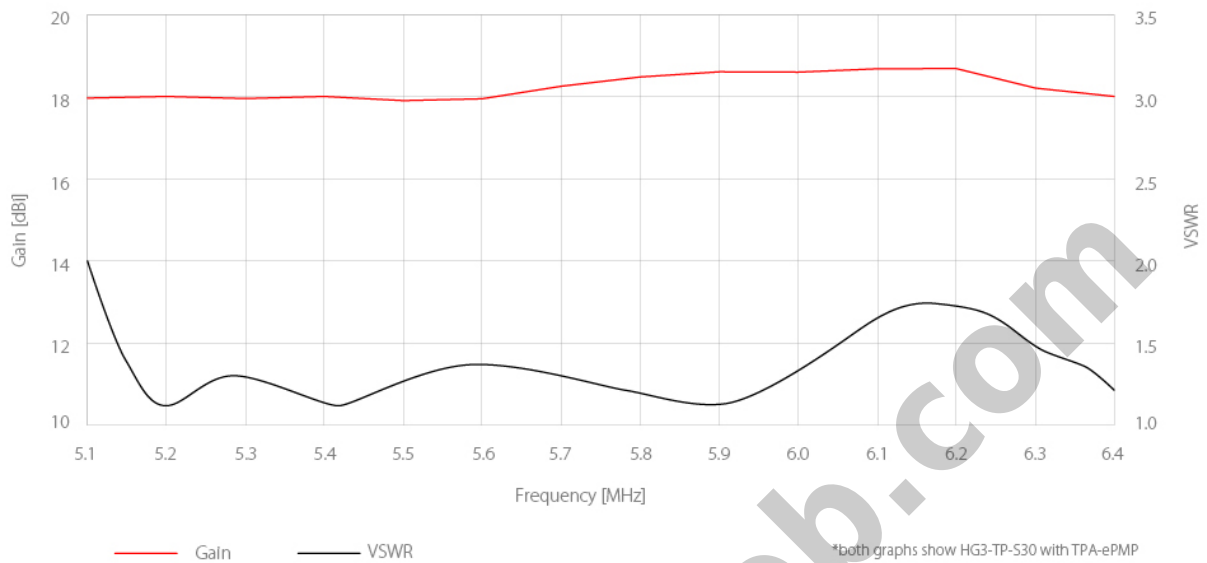
Cambium Networks™
ePMP™ Force 300 CSM



Cambium Networks™
ePMP™ 3000L AP

Market Leading Performance

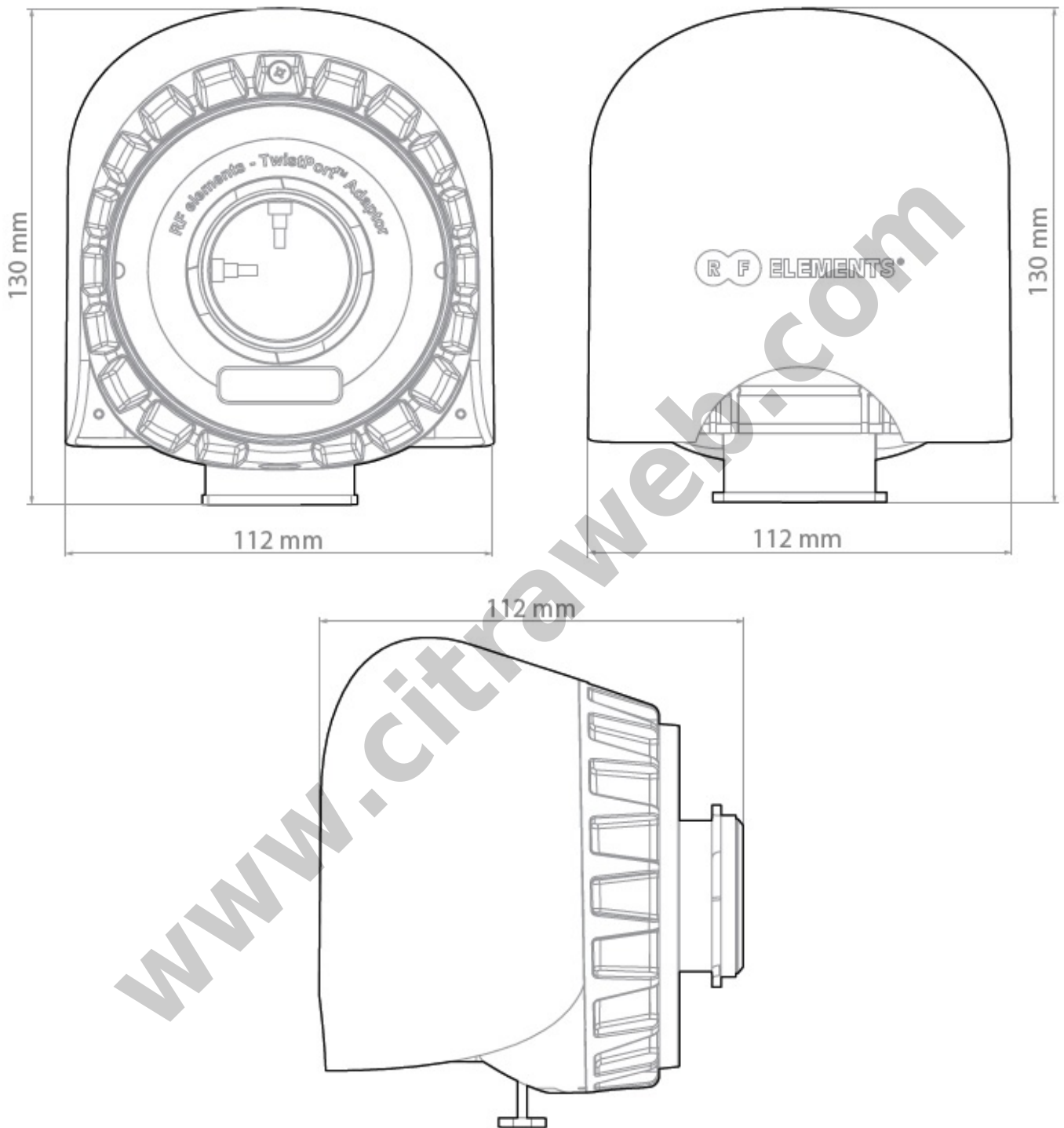
TwistPort™ Adaptors cover an ultra-wideband spectrum of 5180-6400 MHz and perform with superb efficiency and great VSWR.


Specifications :

| | |
|--------------------|-----------------------------------------------------------|
| Antenna Connection | TwistPort™ - Quick Locking Waveguide Port |
| Radio Connection | 2x Slide-On RP-SMA |
| Materials | Insert - Aluminium Alloy |
| | Adaptor - UV stabilized and weather resistant ABS plastic |
| Flame Rating | UL 94 HB |
| Temperature | -40°C to +60°C (-40°F to +140°F) |
| Wind Survival | 160 km/h |
| Weight | 0.4 Kg / 0.9 lbs - single unit |
| | 0.5 Kg / 1.1 lbs - single unit incl. package |
| | 11.2 Kg / 24.7 lbs - carton (20 units) |
| Single Unit | Retail Box: 13 x 12 x 13.5 cm |
| Frequency Range | 5180 - 6400 MHz |
| Polarization | Dual Linear H + V |

| | |
|-------------------------------|------------------------------------------------|
| VSWR Max | 1.8 |
| Impedance | 50 Ohm |
| | |
| COMPATIBLE WIRELESS PLATFORMS | |
| RF elements® | any TwistPort™ Antenna |
| Cambium Networks™ | ePMP™ 1000 AP, ePMP™ 1000 CSM, ePMP™ 3000L AP, |
| | ePMP™ Force 300 CSM |

www.citraweb.com



[Download DataSheet](#)

[Download UserGuide](#)

www.citraweb.com

** Harga, spesifikasi, dan ketersediaan bisa berubah dan tidak mengikat*

URL : <https://www.citraweb.com/produk/882/>

Informasi lebih lanjut, pemesanan dan pembelian, hubungi: 0274-554444 atau email sales@citraweb.com