

Array Sector Antennas 5GHz - 20dBi RF ELEMENTS



Kode : AS-5-20

Brand : RF elements

Jenis : Wireless Antenna

Harga : Rp 1.950.000,00

Rp 2.645.000,00

Premium sector antennas with integrated BackShield™ and extremely wide bandwidth. BackShield™ is our patented frequency-selective surface that effectively attenuates back radiation and the side lobes in the azimuthal plane. BackShield™ is integrated into the antenna structure so there is no need for aftermarket accessory shields. The new Array Sector series are superior patch array antennas optimized for excellent performance in sectorial coverage and dense cluster applications

Penawaran Harga Spesial

 08112039555

Introducing The New Array Sector

The new Array Sector series are superior patch array antennas optimized for excellent performance in sectorial coverage and dense cluster applications.



Best in Class Performance

Gain stability across spectrum

RF elements® Array Sector Antennas have optimized gain performance in the whole useful bandwidth. Thanks to the constant gain, the antennas deliver excellent performance regardless which channel is used.

Wide Band Performance

Array Sector Antennas operate in the frequency range 5150-5850MHz. The 700MHz wide working spectrum covers U-NII-1 to U-NII-3 bands.

BackShield™ for cluster deployments

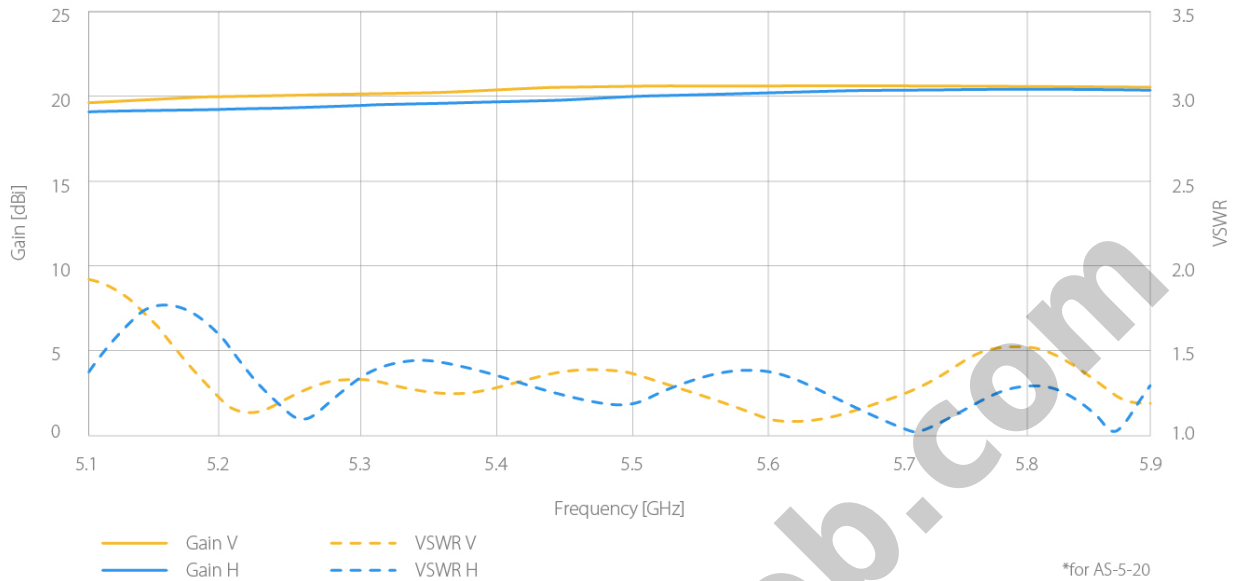
Array Sector Antennas have integrated BackShield™ - patented frequency-selective surfaces attenuating azimuthal side lobes and back radiation significantly improving the co-location capability of Array Sector Antennas.

Light & Compact

Array Sector Antennas are made of high grade aluminium that makes them compact, light, and extremely durable.

Stable Gain Across The Band

The gain of Array Sector antennas remains very stable across an ultra-wide range of frequencies 5150-5850 MHz. VSWR values are excellent across the whole useful spectrum for maximum power delivered from a radio to the antenna.



Optimized For Co-Location

Array Sector Antennas feature BackShield™, our patented structure that effectively mitigates sidelobes in azimuthal plane and parasitic back radiation. Backshield™ significantly improves co-location capability in dense cluster deployments.

BackShield™

BackShield™ is our patented frequency-selective surface that effectively attenuates back radiation and the side lobes in the azimuthal plane. BackShield™ is integrated into the antenna structure so there is no need for aftermarket accessory shields.

Wide Platform Compatibility

Array Sector Antennas are compatible with all major radios with coaxial connectors (check datasheet for complete list). Array Sector Antennas also feature removable cover protecting the SMA connectors, another feature introduced by RF elements® that became an industry standard.

New Antenna Bracket

Array Sector Antennas feature an innovative mounting system composed of minimum parts for quick & easy assembly, installation, and

alignment. Stainless steel hardware has black colored anti-friction surface coating to prevent seizing.

Durable Build

Solid extruded aluminium body enables Array Sector Antennas endure any weather conditions. We use materials of highest quality: extruded and stamped aluminium, surface coated stainless steel, UV resistant ABS plastic & high density polyethylene.

Antenna Connection	2x RP-SMA on integrated semi-flex pigtailed
Antenna Type	Patch Array Sector
Materials	UV Resistant ABS Plastic, Aluminium Alloy, Stainless Steel
Flame Rating	IP55
Temperature	-35°C to +55°C (-31°F to +131°F)
Wind Survival	160 km/h
Wind Loading	160 N at 160 km/hour
Electrical Downtilt	0°
Pole Mounting Diameter	40-80 mm (recommend as close to 80 mm as possible)
Weight	3.5 kg / 7.7 lbs - single unit
	3.8 kg / 8.3 lbs - single unit incl. package
Single Unit	Retail Box: 834 x 167 x 130 mm / 32.8 x 6.5 x 5.1 inch
Frequency Range	5150 - 5850 MHz
Gain	20 dBi
Polarization	Dual Linear H + V
Azimuth Beam Width -3 dB	H 80° / V 71°
Elevation Beam Width -3 dB	H 3.5° / V 3.5°

Azimuth Beam Width -6 dB	H 100° / V 100°
Elevation Beam Width -6 dB	H 4.5° / V 4.5°
Front-to-Back Ratio (Min)	30 dB
Beam Efficiency*	69.00%
Cross Pol Isolation	H 27 dB / V 27 dB
VSWR Max	1.7
Impedance	50 Ohm
Isolation Between Ports	30 dB
COMPATIBLE WIRELESS PLATFORMS	
RF elements®	StationBox® S, StationBox® S CARRIER CLASS, RockShield™
Cambium Networks™	ePMP™ 1000AP and CSM*1, ePMP™ 2000AP*2, ePMP™ 3000L AP*3
MikroTik™	BaseBox*4, NetBox*4, NetMetal*4
Ubiquiti Networks™	Rocket™ M5, Rocket™ M5 Titanium, Rocket™ 5ac, Rocket™ 5ac Prism, Rocket™ 5ac Prism Gen2, airFiber® 5X, airFiber® 5X-HD, LTU™ Rocket
Mimosa® by Airspan	A5x
TP-Link	Pharos WBS510

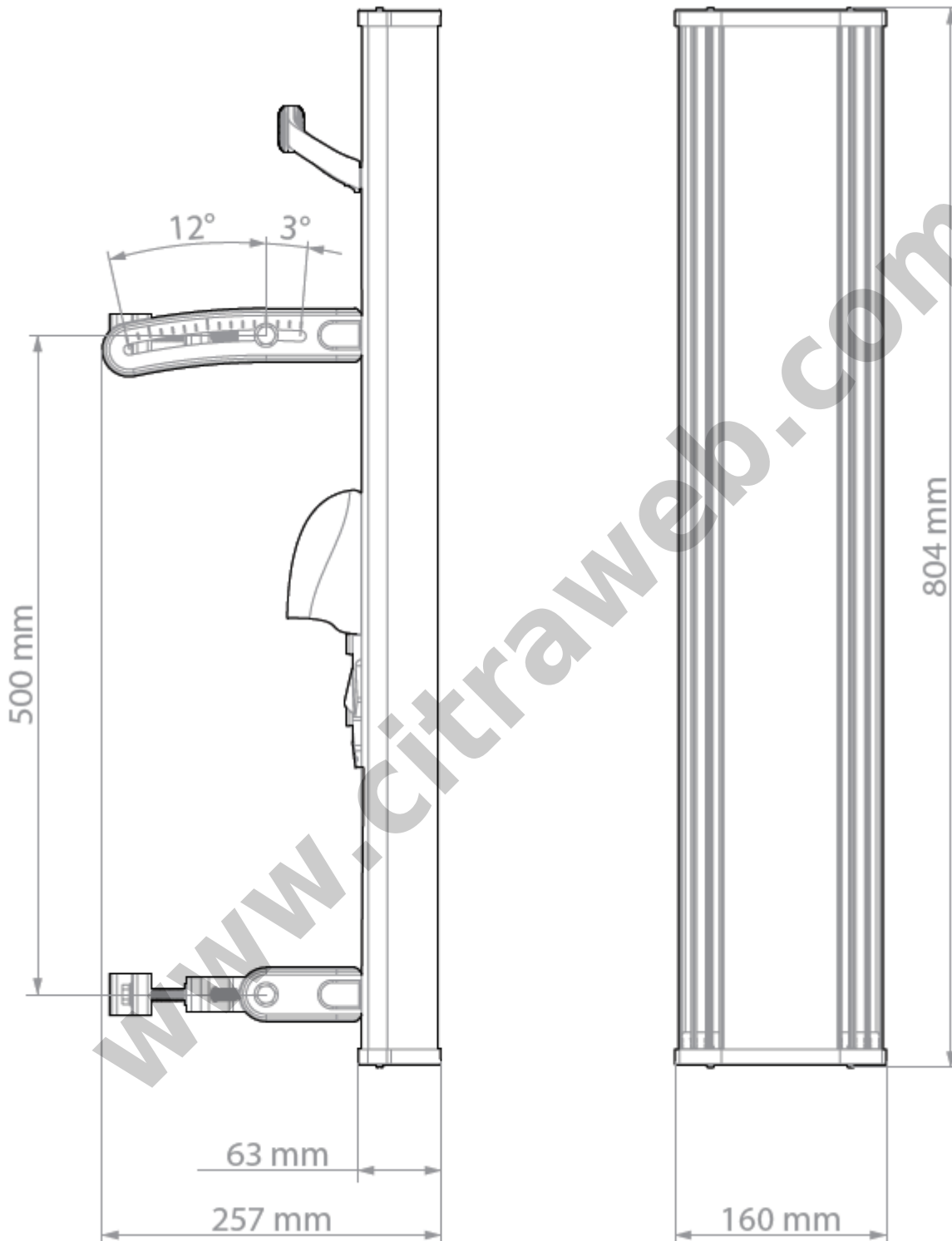
* main beam defined up to first null

*1 with EasyBracket™ for ePMP™

*2 with EB_EPMP2

*3 with EB_ePMP3kL

*4 with EasyBracket™ 912



[Download DataSheet](#)

[Download UserGuide](#)

www.citraweb.com

www.citraweb.com

** Harga, spesifikasi, dan ketersediaan bisa berubah dan tidak mengikat*

URL : <https://www.citraweb.com/produk/885/>

Informasi lebih lanjut, pemesanan dan pembelian, hubungi: 0274-554444 atau email sales@citraweb.com