



TSW030

8-port Ethernet Switch



Energy & utilities



Enterprise



Industrial & automation



Retail



Smart city

2-PIN POWER INPUT

Simple and suitable for industrial applications

LOW POWER CONSUMPTION

Up to 0.5 W when idle, up to 1.5 W maximum

INTEGRATED DIN RAIL

Easy mounting for plug-and-play deployment

8 X RJ45 PORTS

Eight 10/100 Mbps Ethernet ports

Ethernet

Ethernet	8 x ETH ports, 10/100 Mbps, supports auto MDI/MDIX crossover
IEEE 802.3 series standards	802.3i, 802.3u, 802.3ab, 802.3x, 802.3az

INDUSTRIAL PROTOCOLS

Profinet	Profinet Class A conformance (available with optional order code)
----------	---

Performance Specifications

Bandwidth (Non-blocking)	20 Gbps
Packer buffer	128 KB
MAC address table size	2K entries
Jumbo frame support	9216 bytes

Power

Connector	2-pin industrial DC power socket
Input voltage range	7 – 57 VDC, overvoltage protection: 60Vmax, reverse polarity protection: 80Vmax, surge protection: min 64.4V/max 71.2V breakdown voltage, 93.6V maximum reverse voltage @4.3A maximum reverse surge current, 1- Vin, 2-PGND
Power consumption	Idle: 0.5 W / Max: 1.5 W

Physical Interfaces

Ethernet	8 x RJ45 ports, 10/100 Mbps
Status LEDs	1 x Power LED, 16 x ETH status LEDs
Power	1 x 2-pin industrial DC power socket
Other	1 x Grounding screw

Physical Specification

Casing material	Anodized aluminium housing and panels
Dimensions (W x H x D)	113.1 x 41.2 x 74.6 mm
Weight	256 g
Mounting options	Integrated DIN rail bracket; wall mount and flat surface (additional kit needed)

Operating Environment

Operating temperature	-40 °C to 75 °C
Operating humidity	5% to 95% non-condensing
Ingress Protection Rating	IP30

Regulatory & Type Approvals

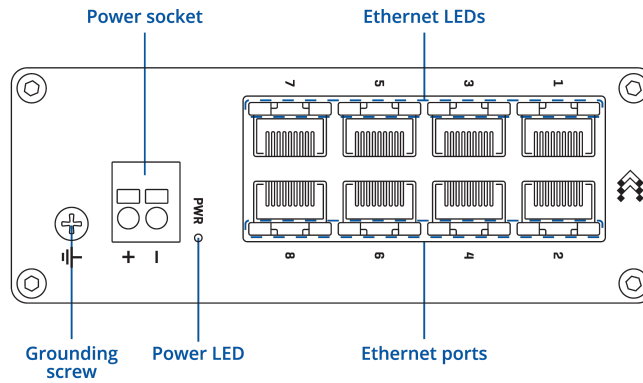
Regulatory CE, UKCA, EAC, E-mark, FCC, ISSED (IC), NOM, NYCE, RCM, REACH, RoHS, WEEE, CB, UL/CSA Safety, MTCTE

Safety (Ordinary Locations)

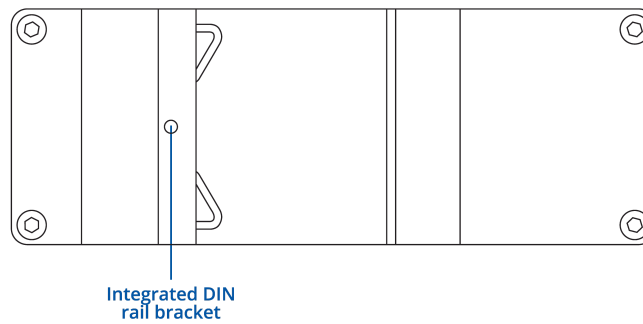
Standards UL/CSA Safety: UL 62368-1 (3rd Ed., Rev. December 13, 2019), C22.2 No. 62368-1:19 (3rd Ed., Rev. December 13, 2019)

Hardware

FRONT VIEW



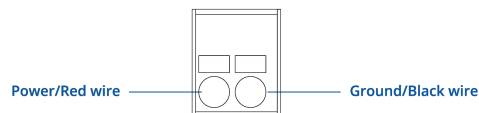
BACK VIEW



RJ45 LED MEANING



POWER SOCKET PINOUT



Ordering

Standard package*



TSW030



QUICK START GUIDE

*Standard package contents may differ based on standard order codes.

For more information on all available packaging options – please [contact us](#) directly.

Classification codes

HS Code: 851762

HTS: 8517.62.00

For more information on all available packaging options – please [contact us](#) directly.

Available versions

Hardware version	Supported frequencies	Standard order code / Package Contains
TSW030 *****0	N/A	TSW030000000 / Standard package without PSU
TSW030 *****1 Profinet Class A conformance	N/A	TSW030000001 / Standard package without PSU

TSW030 spatial measurements

Available versions

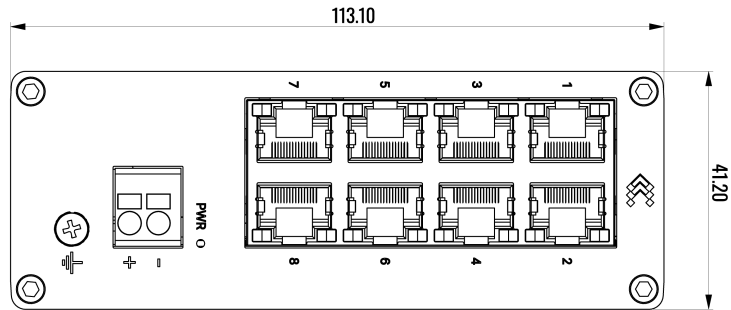
Device housing (W x H x D)*	74.6 x 41.2 x 113.1 mm
-----------------------------	------------------------

Box (W x H x D):	79.5 x 45.7 x 118.5 mm
------------------	------------------------

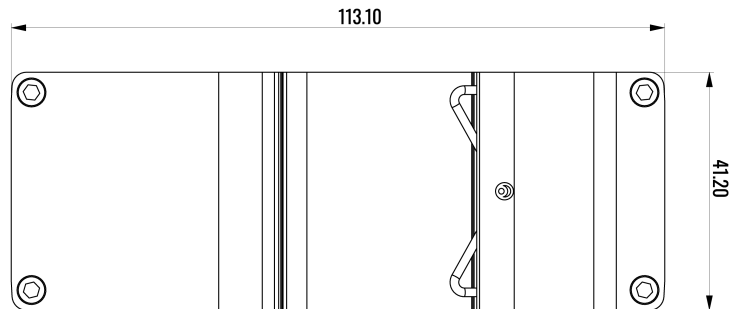
*Housing measurements are presented without antenna connectors and screws; for measurements of other device elements look to the sections below

FRONT VIEW

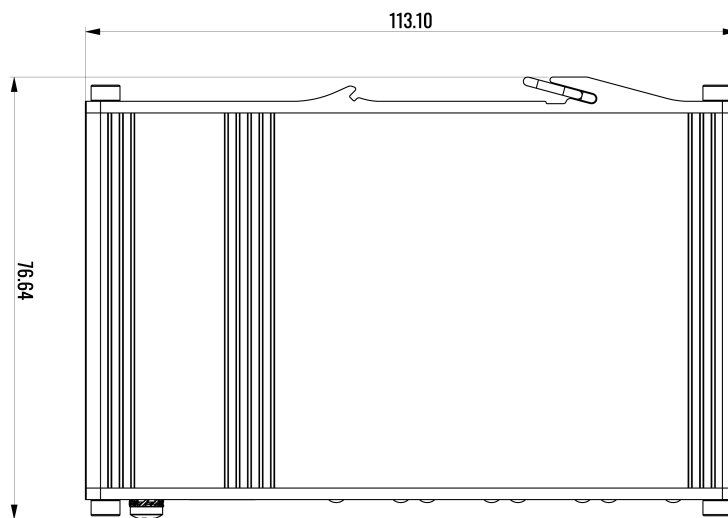
The figure below depicts the measurements of device and its components as seen from the front panel side:


REAR VIEW

The figure below depicts the measurements of device and its components as seen from the back panel side:

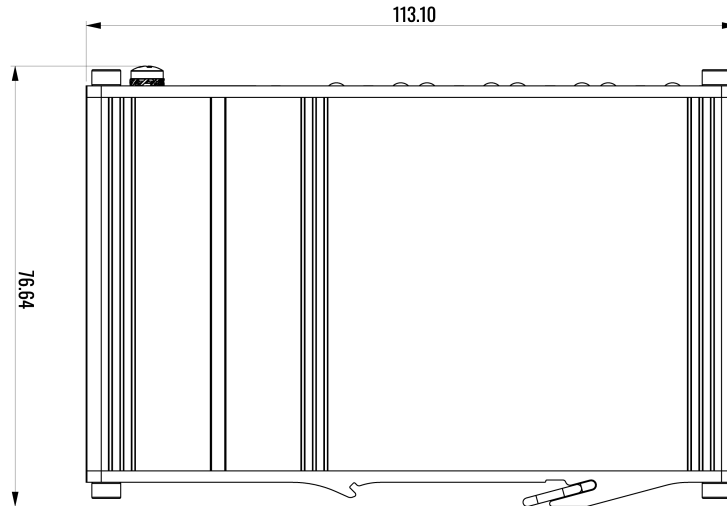

LEFT VIEW

The figure below depicts the measurements of device and its components as seen from the left:



RIGHT VIEW

The figure below depicts the measurements of device and its components as seen from the right:



MOUNTING SPACE REQUIREMENTS

The figure below depicts an approximation of the device's dimensions when cables and antennas are attached:

